

Bristnall Hall Academy - Social Distancing and Academy Pupil Capacity Plan

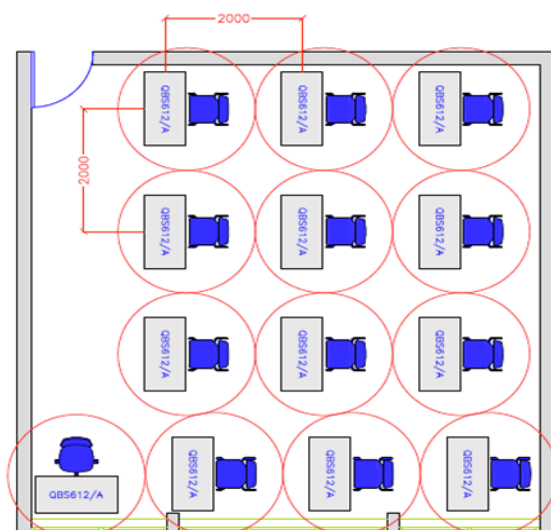
Considering social distancing guidelines along with the suitability and size of each space within our academies we have developed a ratio to safely accommodate pupils whilst still meeting PHE Social distancing guidelines. The following is an example of the number of pupils that can be accommodate in a standard teaching and hall space along with a teacher:

- 55M2 Classroom – 12 Pupils
- 135M2 Hall – 30 Pupils

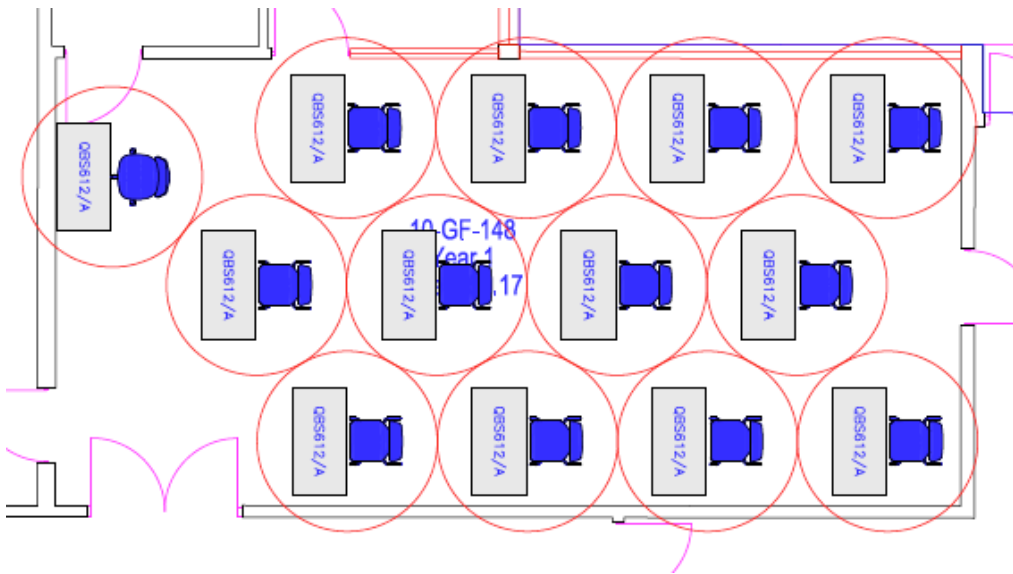
The ratio adapts dependant on size and suitability of each space as not all of our academies are built to the standard BB103 space regulation. This has been developed using our capacity data, measured plans and knowledge of each site.

We have worked with an architect to draw up plans which outline the maximum safe spacing as detailed above:

55M2 classroom examples meeting social distancing requirements

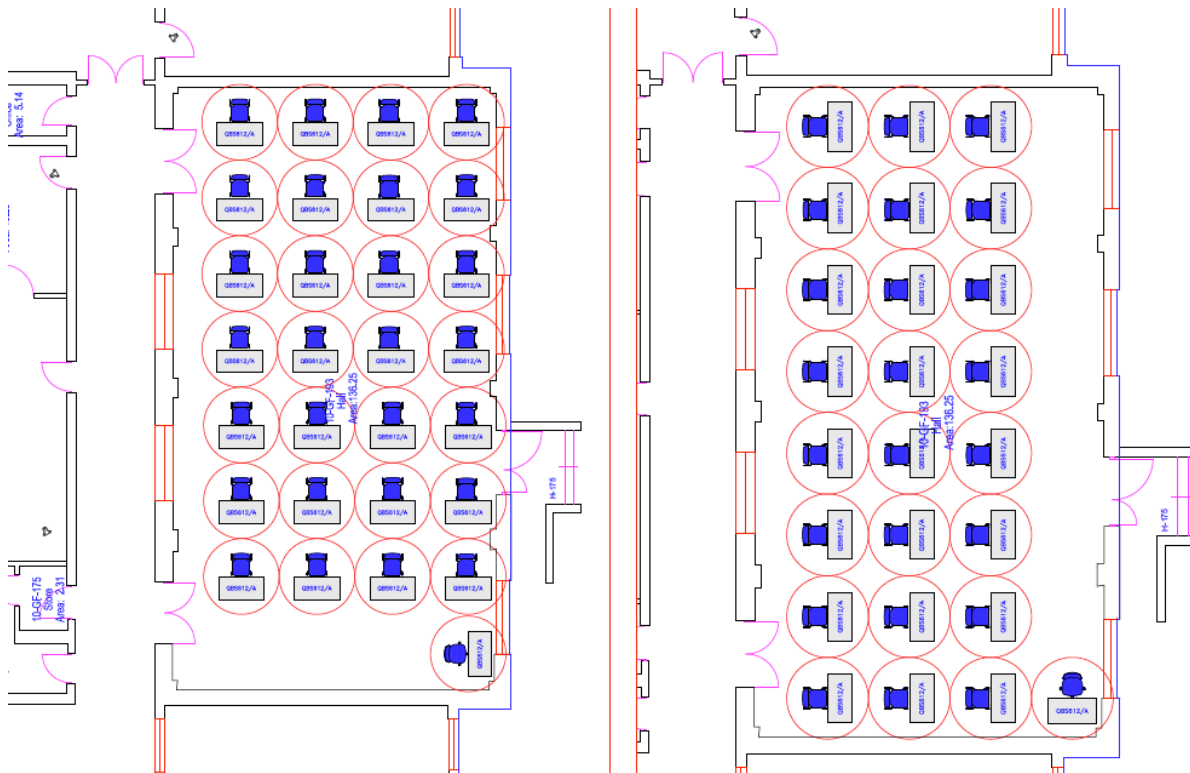


2 metre Spacing



**135M2
classroom
examples
meeting
social
distancing**

requirements



We have then taken this a process a step further and reviewed the available space at Bristnall Hall Academy. This is based on:

- The size of each space within building
- The suitability of each space taking into account fixed furniture and required teachers space
- Location of toilet facilities
- Size of corridor/circulation areas
- Number of pupils expected to return in each year group

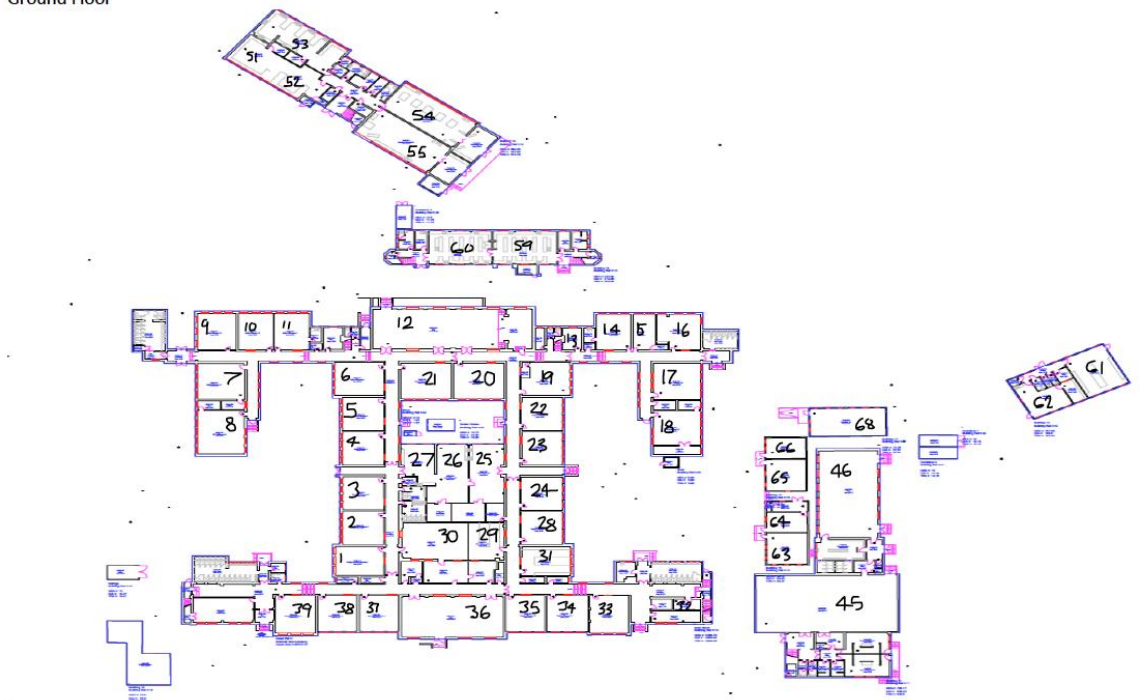
- Specific needs of individual pupils

This methodology has identified the following number of pupils can be safely occupy each class space within the academy and still meet social distancing requirements. The following table outline all space within the academy and is numbered in line with the corresponding site plan:

SITE PLAN BELOW

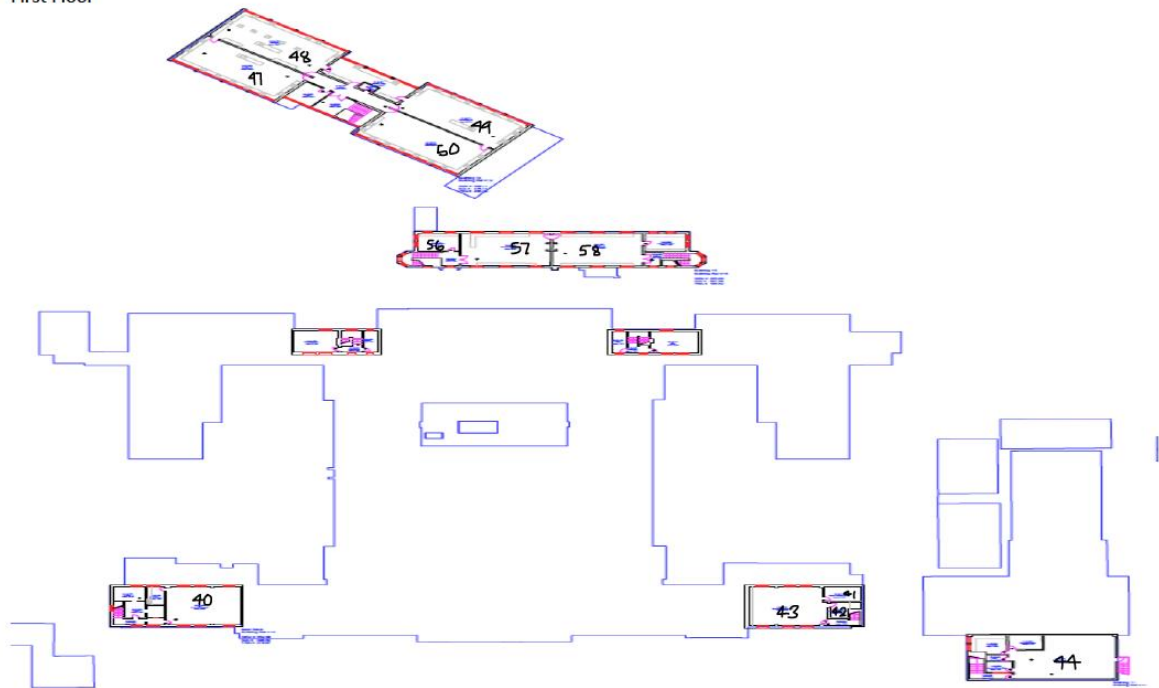
Bristnall Hall Academy Social Distancing Plan 1.5.2020

Ground Floor



Bristnall Hall Academy Social Distancing Plan 1.5.2020

First Floor



Bristnall Hall Academy Social Distancing Plan 1.5.2020

ROOM NUMBER	SPACE_REF	LOCAL_ROOM_NAME	AREA	MAXIMUM CLASS SIZE
1	10-GF-111	Religious Studies Classroom 4	46.31	10
2	10-GF-113	Humanities Classroom 5	44.81	10
3	10-GF-114	Humanities Classroom 6	44.25	10
4	10-GF-115	Maths Classroom 7	44.81	10
5	10-GF-116	Maths Classroom 8	44.82	10
6	10-GF-117	Maths Classroom 9	53.4	12
7	10-GF-119	Maths Classroom 11	55.49	12
8	10-GF-121	ICT Classroom 10	67.51	14
9	10-GF-127	Maths Classroom 12	46.38	10
10	10-GF-128	Maths Classroom 13	41.98	9
11	10-GF-129	Maths Classroom 14	42.25	9
12	10-GF-135	Hall	166.55	35
13	10-GF-140	Support Office	13.29	2
14	10-GF-143	MFL Classroom 17	40.81	9
15	10-GF-144	Isolation	26.78	5
16	10-GF-146	MFL Classroom 19	49.25	10
17	10-GF-150	MFL Classroom 20	55.39	12
18	10-GF-153	MFL Classroom 21	53.04	12
19	10-GF-156	English Classroom 22	48.25	10
20	10-GF-157	English Classroom 16	59.1	13
21	10-GF-158	Maths Classroom 15	60.17	13
22	10-GF-159	English Classroom 23	43.93	10
23	10-GF-160	English Classroom 24	44.5	10
24	10-GF-161	English Classroom 28	44.99	10
25	10-GF-162	Art Classroom 25	65.41	13
26	10-GF-163	Art Classroom 26	65.75	13
27	10-GF-164	Art Classroom 27	40.5	9

Bristnall Hall Academy Social Distancing Plan 1.5.2020

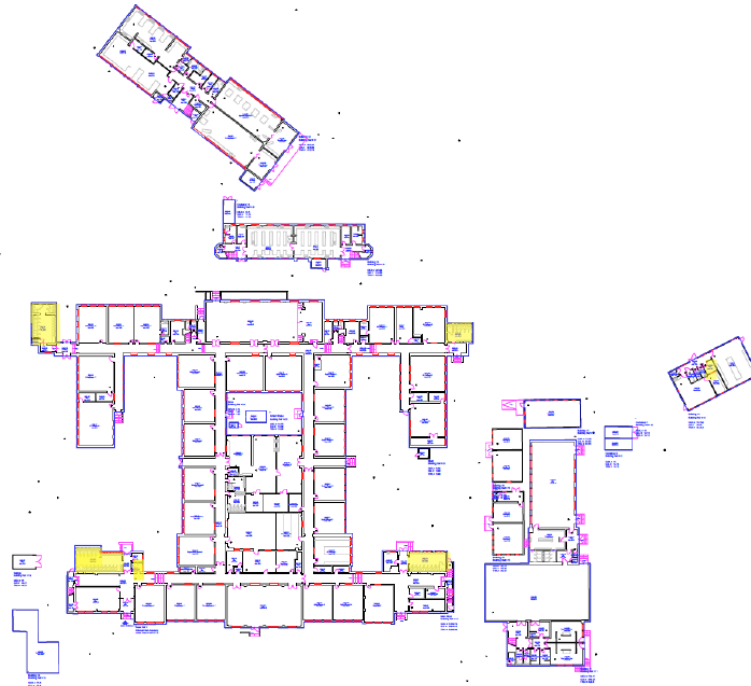
28	10-GF-171	English Classroom 29	44.53	10
29	10-GF-172	ICT Classroom 30	43.2	10
30	10-GF-173	Library	80.59	15
31	10-GF-179	ICT Classroom 31	47.3	10
32	10-GF-187	Music Practice Room	10.04	1
33	10-GF-190	Literacy HUB 35	48.89	10
34	10-GF-191	English Classroom 34	47.76	10
35	10-GF-192	English Classroom 33	46.31	10
36	10-GF-193	Hall	136.25	30
37	10-GF-194	Humanities Classroom 3	45.74	10
38	10-GF-195	History Classroom 2	46.25	10
39	10-GF-196	Geography Classroom 1	49.12	10
40	10-1F-205	Learning Support	65.61	13
41	10-1F-213	Music Practice Room	8.75	1
42	10-1F-214	Music Practice Room	11.54	1
43	10-1F-215	Music Classroom 36	68.53	13
44	11-1F-240	Dance Studio	92.76	24
45	11-GF-220	Sports Hall	261.74	60
46	11-GF-233	Gym	167.74	35
47	12-1F-268	Biology 51	88.05	15
48	12-1F-269	Science	90.07	15
49	12-1F-271	Chemistry 49	89.12	15
50	12-1F-272	Physics 48	90.1	15
51	12-GF-246	Textiles 47	51.41	6
52	12-GF-247	Textiles 46	41.19	6
53	12-GF-249	Catering 45	81.66	15
54	12-GF-257	Engineering CAD/CAM 44	88.78	15
55	12-GF-261	Resistant Materials 43	90.04	15
56	13-1F-285	Reflection Room	17.13	2

Bristnall Hall Academy Social Distancing Plan 1.5.2020

57	13-1F-286	Success Centre 41	66.42	8
58	13-1F-287	Graphics 40	66.6	10
59	13-GF-274	Science 39	66.37	13
60	13-GF-276	Science 42	66.46	13
61	14-GF-292	ICT 37	63.4	3
62	14-GF-294	Common Room	40.22	14
63	15-GF-299	Classroom 55	41.08	9
63	15-GF-300	Classroom 54	26.15	5
65	16-GF-303	Classroom 53	40.91	8
66	16-GF-304	Classroom 53	26.97	5
67	17-GF-305	Classroom 38	67.61	13

Bristnall Hall Academy Social Distancing Plan 1.5.2020

Toilet Areas



Ground Floor